

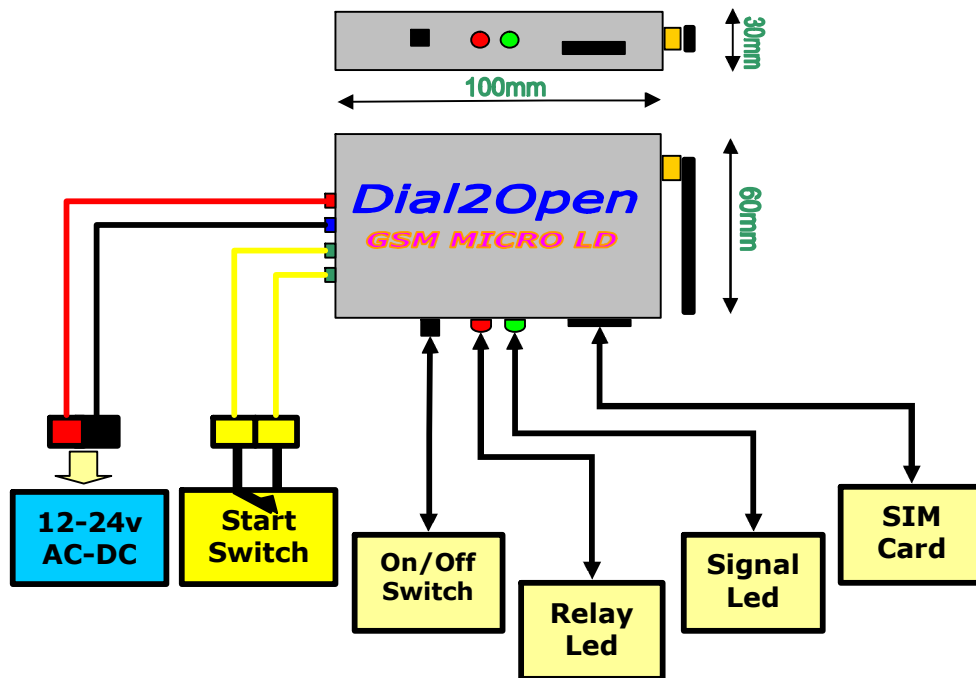
Dial2Open

GSM REMOTE CONTROL UNIT

GSM-MICRO LD

MANUAL





Technical Specifications

*Siemens TC35i GSM module
Single output relay
Current draw in idle mode 25Mamps
Current draw in active mode 50Mamps
Voltage 12-24 AC-DC polarity protected
Optional external aerial
2 year warranty
C.E. Approval*

Product Description

The Dial2Open GSM-Micro LD is a GSM based control board that will recognise up to 64 pre-programmed phone numbers (mobile or landline) so that the caller can remotely operate gates, doors, locks etc.

For security the unit will only respond to the 64 pre-programmed phone numbers.

The unit is easily programmed with phone numbers by SMS text message.

The unit never answers a call and therefore there are never any call costs.

The GSM-Micro LD has its own dedicated SIM card which is the number you always dial when you want to operate the gates etc.

The unit has a normally open output relay with two flying cables which are placed in parallel with the start button of within Gate/Door Control panel.

The Output Relay has a rating of 48Volts at .5Amps and will handle most applications.

Advantages of the Dial 2 Open System

- *Safe and secure* as nobody can clone a Mobile Phone as easily as a Remote Control.
- *Flexibility* of being able to add or delete numbers from anywhere is seconds via a simple Text Message.
- *Low cost* as once you have installed the Dial 2 Open System there is no more expense buying Remote Controls or replacing Batteries.
- *No hassle* when changing vehicles as your Mobile Phone is always with you.
- *Conveniently works* from anywhere so you can open your Gates for tradesmen or delivery drivers regardless of where you are in the World.

Installing the SIM Card

The GSM-Micro LD will accept any Pay as You Go SIM Card.

The SIM card only incurs costs in programming mode when the unit sends back information via SMS Text Message.

If the SIM card ever does run out of credit, the unit will still operate and execute any commands given; you will just not receive any confirmation text messages back.

The SIM card is inserted into the SIM card holder situated on the side of the unit.

Make sure the power is OFF when inserting the SIM card

Once this is done you can now connect the power supply and switch on the unit with the on/off switch, again located on the side of the unit.

The GSM-Micro LD will now automatically log on to the mobile phone network and after a little time you will see the green LED light pulse every 3 or 4 seconds consistently.

You must now check the signal strength, because the reception varies from network to network across the country. This is done in programming mode.

Programming Mode

The unit is programmed using the following commands which must be in CAPITAL LETTERS and there must not be any spaces.

#PWD	<i>(password command)</i>
#WHL	<i>(white list command)</i>
#ACM	<i>(access mode command)</i>
#CAP	<i>(change password command)</i>
#GOT	<i>(gate pulse time command)</i>
#CSQ	<i>(Check signal quality command)</i>

**The unit comes with a default 6 digit password, which is set to:
123456**

Checking Signal Strength

The GS-Micro LD allows you to send a SMS Message to the unit and confirm the signal strength and determine if any external aerial is required or whether you need to change to another network provider.

To do this you send the following SMS Message to the unit.

#PWD123456#CSQ?

You will receive a confirmation SMS based on a signal strength of **3.99 to 32.99**

You will not require an external aerial with a signal strength above **6.99**.

Changing Password

To change the password from

123456

to

121212

You would send the unit the following SMS text message.

#PWD123456#CAP121212#CAP121212

The unit will reply with the SMS text message

#PWD_OK

to indicate a correct command or

#PWD_Err

if a mistake has been made.

NEVER!!! Reveal your password to anybody. It is as valuable as your bank pin number.

From this point on we will assume the password is **121212**

Adding Authorised Numbers to the white list

The unit uses a white list of phone numbers from **01** to **64**. It is advisable to keep a record of the white list.

If you wanted to add the phone number

0781987654

To position 01 in the white list you would use the command

#PWD121212#WHL01=0781987654

You will receive a confirmation SMS message.

WHL_01_OK

If you have more than 10 digits in your phone number, only use the last 10 digits.

For example, if your phone number was 733446665555 you would use the command

#PWD121212#WHL12=3446665555

Your phone number would be put in position 12 of the *white list*.

- To check a number in the white list

If you wanted to check which phone number was in position **01** of the *white list* you would send the following command:

#PWD121212#WHL01?

You will receive a confirmation SMS message.

WHL_01_=0781987654

- Deleting Numbers from the white list

To delete the phone number in position **01** of the *white list* you would use the following command:

#PWD121212#WHL01D

That number in the *white list* has now been deleted!

To delete all the numbers on the *white list* you would use the command:

#PWD121212#WHL99D

Changing Access mode

The unit can be programmed to *allow access to any person* who phones the unit's SIM number. To do this, send the command:

#PWD121212#ACM0 (The 0 is a zero)

Use the above command with extreme caution!!!!

To allow access to only the authorised users on the *white list* send the command:

#PWD121212#ACM2

